

COPAL

Large Format Photo Printer
DPB-4000

Professional Photo Quality
Professional Photo Quality
Professional Photo Quality
Professional Photo Quality

DPB-4000

8x10"

Professional Photo Quality Print

Dual Line Print Head

High Capacity

Roll Fed

Easy Maintenance

Front Loading

USB 2.0

Windows Driver

SDK



8 x 10" Borderless Print.

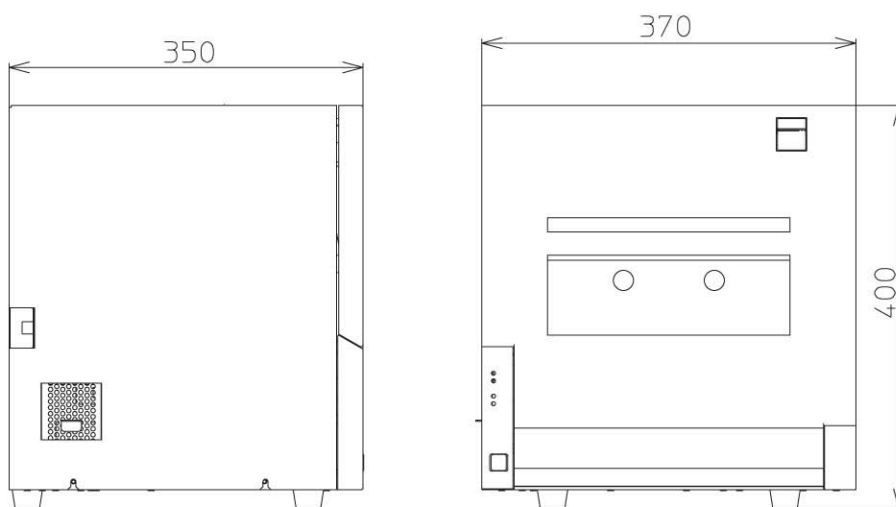
Roll Fed Jam-free Mechanism.

► Specifications

Model	DPB-4000
Printing Method	Dye Sublimation Thermal Transfer
Print Head	300 dpi Dual Line Head
Resolution	300 x 600 dpi
Gradation	24 bit (16.7 Million Colors)
Paper Type	Roll Paper
Print Size	203 x 254 mm (8 x 10") Borderless
Media Capacity	200 prints (8 x 10")

Print Speed	Approx. 40 sec. (8 x 10")
Buffer Memory	64 MB (32 MB / Image x 2)
Interface	USB 2.0
Printer Driver	Windows® 2000/XP
Software Development Kit (upon request)	Windows® 2000/XP
Dimensions	370 mm (W) x 350 mm (D) x 400mm (H)
Weight	Approx. 26 kg (without Media)
Power	Universal AC 100 - 240 V, 50/60 Hz
Power Consumption	250 Watts Maximum

► Dimensions (mm)



●Microsoft and Windows are registered trademarks of Microsoft Corporation in the United States and other countries. ●Specifications and features are subject to change without prior notice. ●Body color of DPB-4000 may appear slightly different in actual product.



Notice!

Please read the instruction manual before starting to use DPB-4000 in order to make sure the correct and safe use of the printer.

Distributed by:

Photokiosks.com.au
 4 Bernard Drive MELTON SOUTH Vic 3338
 Phone: 03-9747 6452
 Fax: 03-9747 6181
 Email: sales@photokiosks.com.au

NIDEC COPAL CORPORATION

A *Nidec* Group Company

International Marketing & Sales Dept.
 18-10, Shimura 2-chome, Itabashi-ku, Tokyo
 174-8550 Japan
 Phone: +81-3-3960-8171 FAX: +81-3-3968-8066
 Internet: <http://www.copal.co.jp/>
 e-mail: dpb@copal.co.jp