

DIGITAL PHOTO PRINTER

DS Series



new print-head, high image quality with smooth gradation

High Image Quality

By installing newly developed heat control IC (DPPS1) and brand-new print-head, high image quality with smooth gradation reproduction has been realized even during high speed printing.



High Speed Printing

- Postcard size: **8**seconds/per print
- Postcard size (when 4 printers connected): **2**seconds/per print

Space-saving Compact Body, Front Opening & Loading

The exterior dimensions are the same for both DS40 & DS80. The height is only half of previously available models. With combined stacking, multi format printing will be realized in limited store space.

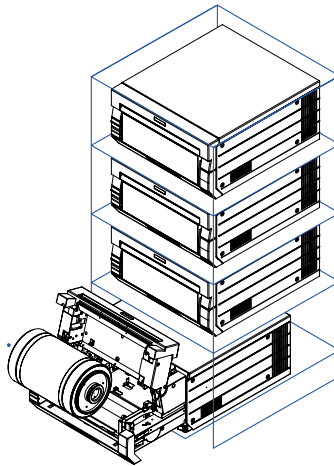
Flexible Extension

Example of a system using DS40 and DS80.
Truly free printer combination is possible.

► Super-high-speed printing

Space-saving flat body allows multiple stacking.
A compact system can be offered to the store where high throughput is a requirement.

Easy-to-use front opening & loading mechanism. Maintenance such as media exchange is simple and easy.



► Multi format

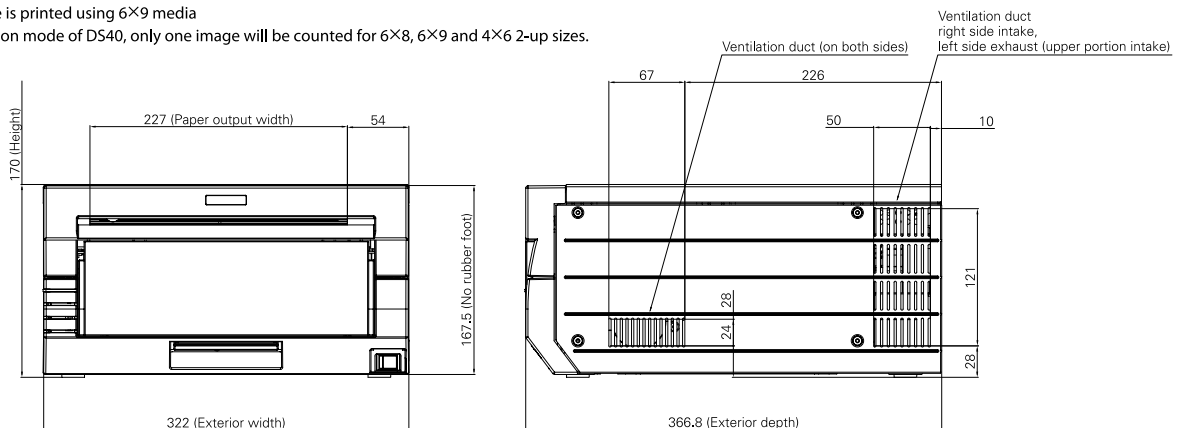
Combination of DS40 and DS80 will produce various print sizes. By installing the same exterior size printers, we offer wider selection to the store.

Specifications

Model	DS40		DS80	
Print method	Dye sublimation heat transfer method		Dye sublimation heat transfer method	
Print mode	High-speed mode	High-resolution mode	High-speed mode	High-resolution mode
Resolution	300×300dpi	300×600dpi	300×300dpi	300×600dpi
Print size	3.5×5 4×6 5×7 6×8 6×9	89×127mm 101×152mm 127×178mm 152×203mm 152×229mm	8×4 8×5 8×6 8×8 8×10 8×12	203×102mm 203×127mm 203×152mm 203×203mm 203×254mm 203×305mm (203×297mm also possible)
Print number	3.5×5 4×6 5×7 6×9	400 sheets 400 sheets 230 sheets 180 sheets	8×12	110 sheets
Print speed	3.5×5 4×6 4×6 2-up (*1) 5×7 6×8 6×9	8 sec./sheet 8 sec./sheet 7.4 sec./sheet 12 sec./sheet 13 sec./sheet 16 sec./sheet	10 sec./sheet 11 sec./sheet 10 sec./sheet 17 sec./sheet 19 sec./sheet 22 sec./sheet	8×12 35sec./sheet 46sec./sheet
Ribbon finish	YMC + overcoat		YMC + overcoat	
Interface	USB 2.0 (Maximum 480Mbps)		USB 2.0 (Maximum 480Mbps)	
Buffer size	For two images (*2)		For two images	
Driver	Windows2000 / XP		Windows2000 / XP	
External dimensions	322W×366D×170H		322W×366D×170H	
Weight (Excluding accessories and media)	Approx. 14Kg		Approx. 14Kg	
Power supply	AC100V-240V 50/60 Hz		AC100V-240V 50/60 Hz	
Power consumption (when printing)	100V 3.96A 240V 1.69A		100V 3.96A 240V 1.69A	
Accessories	Power supply cord		Power supply cord	
Options	Paper tray (3.5×5 and 4×6) Paper spacer (3.5×5 or 4×6)			

*1 When two 4×6 size is printed using 6×9 media

*2 In the high-resolution mode of DS40, only one image will be counted for 6×8, 6×9 and 4×6 2-up sizes.



Dai Nippon Printing Co., Ltd.

1-1-1, Ichigaya-Kagacho, Shinjuku-ku, Tokyo, Japan
<http://www.dnp.co.jp/>