

SONY[®]



Digital Photo Printer
UP-DR200



ProMatte

Expand Your Business With Sony's UP-DR200 - Raising the Standard of Digital Photofinishing

Sony is proud to introduce its new, leading-edge Digital Photo Printer, the UP-DR200.

The UP-DR200 offers many excellent features to boost your digital photo printing business, such as superb-quality dye-sublimation printing, outstanding high-volume printing, and easy operation.

With its exceptional features, the UP-DR200 has advanced to a new level of digital photofinishing that will greatly contribute to your business growth and improve your levels of customer satisfaction.

It is the unrivaled choice for digital photo-printing services, and makes it easy for you to expand your business into this profitable market.

For KIOSK



Superb Print Quality

Incorporating Sony dye sublimation technology, the UP-DR200 produces photo-quality prints. Crisp and vibrant prints can be created with natural, continuous tones, on print media that is very similar in texture to traditional photography paper. In addition, the UP-DR200 offers two types of surface finish - glossy and ProMatte - and it can print onto four different sizes of paper: 9 x 13 cm (3.5 x 5 inch), 10 x 15 cm (4 x 6 inch), 13 x 18 cm (5 x 7 inch), and 15 x 20 cm (6 x 8 inch).

High-volume Printing

One roll of paper for 700 prints!* *10 x 15 cm (4 x 6 inches)

With its large paper capacity, the UP-DR200 is a true workhorse. For example, it can hold a roll of paper for 700 10 x 15 cm (4 x 6 inches) prints, 400 13 x 18 cm (5 x 7 inches) prints, or 350 15 x 20 cm (6 x 8 inches). This high-volume printing capability results in less time spent replacing paper media. Plus, the paper roll itself is small in size, so the printer retains a compact form.

Easy to Maintain with Auto-loading Mechanism and Front Operation

The front-loading operation and auto-loading mechanism of the UP-DR200 enables easy replacement of paper and ribbon. Simply open the front door and insert the roll and ribbon! Maintaining the UP-DR200 does not require special technical training.

The printing side of the paper roll has been inverted to avoid leaving fingerprints during paper replacement.

Moreover, front loading allows the printer to be installed in even the tightest spaces, such as a kiosk. In fact, the UP-DR200 is ideal for kiosk applications as the paper outlet is located at the upper of the unit. The convenient rear panel



Digital Photo Printer **UP-DR200**

For Retail Photo Printing Service



For Event Photo



provides recessed interface connections that make setup and access easy. Plus, any connected cables, such as the printer's AC power cord or USB cables, can be clamped to the main unit to prevent them from being unplugged.

High-speed Printing

High-quality Prints in 8 seconds!* *10 x 15 cm (4 x 6 inches)

The UP-DR200 operates at high speed, regardless of the print size. For example, printing a 10 x 15 cm (4 x 6 inch) image takes approximately 8 seconds, a 13 x 18 cm (5 x 7 inch) takes approximately 12.5 seconds, and a 15 x 20 cm (6 x 8 inch) image takes 14.5 seconds.

High throughput

The UP-DR200 can produce 450 10 x 15 cm (4 x 6 inch) prints per hour.* This high throughput rate maximizes system uptime, which will make your photo-printing business a success.

*When printing pictures of 50% plain gray color consecutively at 25 °C.

USB Interface

The UP-DR200 is equipped with a Hi-Speed USB (USB 2.0) interface that allows for fast image data transfer.

PC Compatibility

To enhance its flexibility, the printer is supplied with PC driver software - compatible with Microsoft® Windows® XP Professional and Vista.

Low Noise Level

The UP-DR200 operates at a low noise level, thereby minimizing disruptions in your workplace.

Gray Balance Adjustment Capability

Using the printed gray balance chart, it is easy to specify the neutral gray color. The UP-DR200 can distinguish between delicate gray colors and reproduce the preferred color.

Real-time Monitoring of Printer Status via LCD

The UP-DR200 also offers real-time monitoring of the remaining number of prints, the total number of prints, the printer status, and any error status via its integrated LCD panel.

Specifications

| UP-DR200 | |
|-----------------------|---|
| Printing method | Dye sublimation thermal transfer |
| Resolution | 330 dpi |
| Gradation | 256 levels (8 bits) each for Yellow, Cyan, Magenta |
| Printable pixels | 2UPC-R203PF: 1210 x 1728 dots 2UPC-R204: 1382 x 2048 dots 2UPC-R205: 1728 x 2380 dots 2UPC-R206: 2048 x 2724 dots |
| Picuter size | 2UPC-R203PF: 89 x 127 mm (3.5 x 5 inches) 2UPC-R204: 102 x 152 mm (4 x 6 inches) 2UPC-R205: 127 x 178 mm (5 x 7 inches) 2UPC-R206: 152 x 204 mm (6 x 8 inches) |
| Printing time* | 2UPC-R203PF: Approx. 7.8 seconds 2UPC-R204: Approx. 8 seconds 2UPC-R205: Approx. 12.5 seconds 2UPC-R206: Approx. 14.5 seconds |
| Spool memory | For one additional picture |
| Interface | Hi-Speed USB (USB 2.0) |
| Power requirements | AC 100 to 240 V, 50/60 Hz |
| Power consumption | 5 to 2.5 A max. |
| Operating temperature | 10 °C to 35 °C (50 °F to 95 °F) |
| Operating humidity | 20% to 80% |
| Dimensions | 280 (W) x 356 (H) x 459 (D) mm (11 1/8 x 14 1/8 x 18 1/8 inches) (Including the maximum projecting parts) |
| Mass | Approx. 17 kg (37 lb 8 oz) |
| Safety standards | UL60950-1, CSA C22.2 No. 60950-1, EN60950-1 IEC60950-1 |
| EMC standards | FCC/IC: Class A Digital Device EN55022 Class B+EN55024+EN61000-3-2+EN61000-3-3 AS/NZS CISPR 22 Class B |
| Supplied accessories | Output tray (1), Output tray adapter (1), Scrap receptacle (1), Cleaning ribbon (1), Ribbon tray (1), Paper core (1), Paper adapter (blue) (1), Paper adapter (pink) (1), USB cable (1), CD-ROM (including driver software and on-line manual, ICC profile) (1), Software license agreement (1), Warranty card (1), Service and customer support info (1), Before using this printer (1), AC power cord (1) |

*Printing time may vary depending on the printing conditions.

Self-Laminating Color Printing Pack

2UPC-R203PF

9 x 13 cm (3.5 x 5 inch)
Contents: Paper roll for 770 prints x 2
Ink ribbon x 2



2UPC-R204

10 x 15 cm (4 x 6 inch)
Contents: Paper roll for 700 prints x 2
Ink ribbon x 2



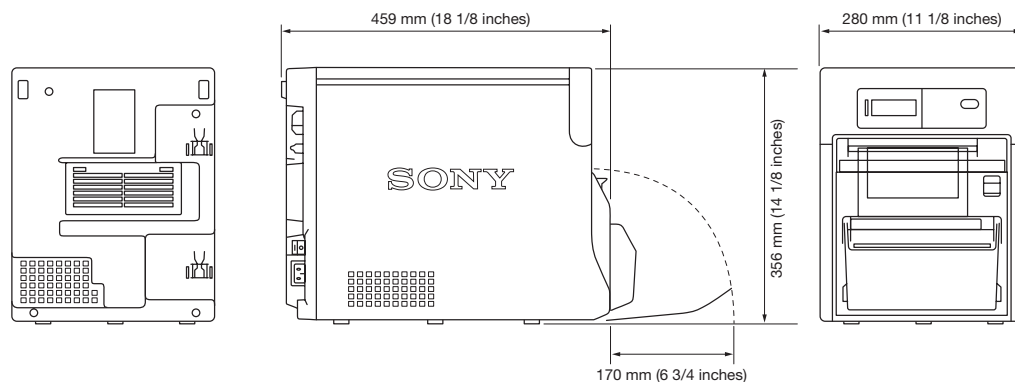
2UPC-R205

13 x 18 cm (5 x 7 inch)
Contents: Paper roll for 400 prints x 2
Ink ribbon x 2



2UPC-R206

15 x 20 cm (6 x 8 inch)
Contents: Paper roll for 350 prints x 2
Ink ribbon x 2



Distributed by

©2008 Sony Corporation. All rights reserved.

Reproduction in whole or in part without written permission is prohibited.

Features and specifications are subject to change without notice.

All non-metric weights and measurements are approximate.

Sony is a registered trademark of Sony Corporation.

Microsoft and Windows are registered trademarks of Microsoft Corporation.

All other trademarks are the property of their respective owners.