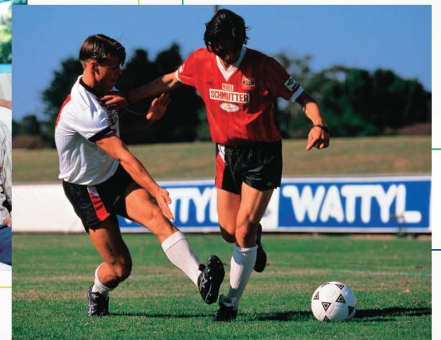


SONY®

Digital Photo Printer

UP-CX1

The Sony UP-CX1 delivers both quality and affordability – and expands your business opportunities!



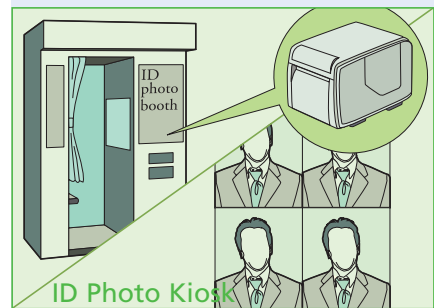
Print by Sony

Professional digital photo printer for both Windows and Macintosh operating systems

The Sony UP-CX1 is designed for the most demanding customers who seek both quality and affordability from their digital photo printer. It provides flexible printing in a choice of four prints sizes: 9 x 13 cm (3.5 x 5 inches), 10 x 15 cm (4 x 6 inches), 13 x 18 cm (5 x 7 inches), and 10 x 20 cm (4 x 8 inches). Plus, it prints at an incredibly high speed – for example, a 13 x 18 cm (5 x 7 inches) print takes just 17 seconds and a 9 x 13 cm (3.5 x 5 inches) print is completed in as little as 13 seconds. Plus, Sony dye sublimation technology delivers a superb print quality of 300 dpi. Furthermore, the affordable price of the UP-CX1 allows customers to generate a quick return on their business investment, and makes it easy for them to own a second unit should they wish to print in different sizes at the same time. With a combination of exceptional features and affordability, the UP-CX1 expands your business opportunities in a wide range of digital photo printing markets.



Application



Features



High-speed printing

A new-generation print engine enables the UP-CX1 to operate at high speed, which reduces the time that customers have to wait and enables high-volume print jobs to be completed faster. The approximate print speeds for different sized images are as follows:

- 9 x 13 cm (3.5 x 5 inches) = 13 seconds
- 10 x 15 cm (4 x 6 inches) = 16 seconds
- 13 x 18 cm (5 x 7 inches) = 17 seconds
- 10 x 20 cm (4 x 8 inches) = 21 seconds



Digital Photo Printer
UP-CX1

Compact and stylish design

The compact and stylish design of the UP-CX1 allows it to be deployed in even the smallest of places.

Variety of print sizes

The UP-CX1 supports four different print sizes. User can select from 9 x 13 cm (3.5 x 5 inches), 10 x 15 cm (4 x 6 inches), 13 x 18 cm (5 x 7 inches), and 10 x 20 cm (4 x 8 inches) in accordance with usage.

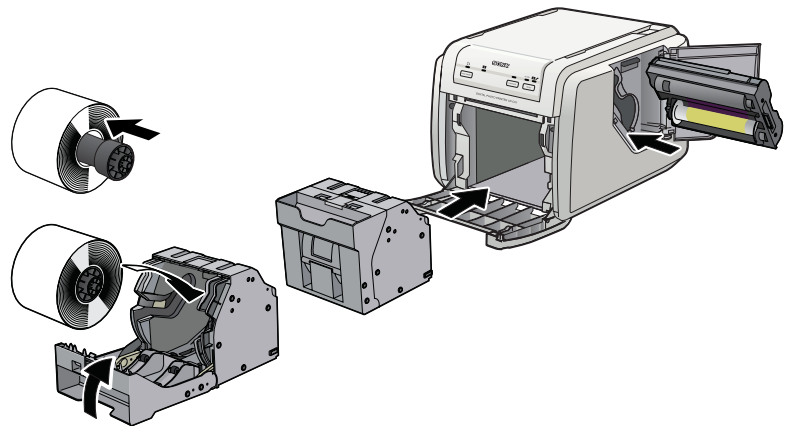
When using the optional paper holder UPA-CPH1, users can switch between print sizes quickly and easily.



UPA-CPH1
Paper Holder

Easy maintenance

Thanks to a new print mechanism that employs both ribbon cartridge and paper holder, the replacement of paper and ribbon is very simple. In addition, since paper is rolled with the printing surface on the inside, the printing surface is protected against foreign substances such as fingerprints or dust. This easy maintenance and handling minimizes printer downtime, which is essential in busy work environments.



Superb print quality

Utilizing Sony dye sublimation technology with a new image-processing architecture, the UP-CX1 produces photo-quality prints that offer crisp and vibrant colors with natural, continuous tones. The sharp, high-definition prints created by the UP-CX1 will more than satisfy the needs of the most quality-demanding customers.

Hi-Speed USB interface

The UP-CX1 is equipped with a Hi-Speed USB (USB 2.0) interface enabling fast data transfer.

PC compatibility

The UP-CX1 is supplied with a Microsoft® Windows® printer driver software, which allows images to be printed from various Windows applications. An Apple Macintosh driver is available for download from <http://www.sony.net/Products/DP-driver>

Security cable compatibility

The UP-CX1 is equipped with a security slot for protection against theft. This allows the printer to be quickly and conveniently secured almost anywhere using a third-party security cable.

Specifications

Printing method	Dye sublimation thermal transfer (Yellow/Magenta/Cyan/Overcoat)
Resolution	11.8 dots/mm (300 dpi)
Gradations	256 levels (8 bits) each for Yellow, Magenta, Cyan
Image data transferred	13 x 18 cm (5 x 7 inches): 1536 x 2148 dots 10 x 15 cm (4 x 6 inches): 1248 x 1848 dots 9 x 13 cm (3.5 x 5 inches): 1100 x 1536 dots 10 x 20 cm (4 x 8 inches): 1248 x 2448 dots
Picture size	13 x 18 cm (5 x 7 inches): 126 x 178 mm \pm 2 mm 10 x 15 cm (4 x 6 inches): 101 x 152 mm \pm 2 mm 9 x 13 cm (3.5 x 5 inches): 89 x 126 mm \pm 2 mm 10 x 20 cm (4 x 8 inches): 101 x 203 mm \pm 2 mm
Printing time*	13 x 18 cm (5 x 7 inches): Approx. 17 seconds 10 x 15 cm (4 x 6 inches): Approx. 16 seconds 9 x 13 cm (3.5 x 5 inches): Approx. 13 seconds 10 x 20 cm (4 x 8 inches): Approx. 21 seconds
Paper capacity	13 x 18 cm (5 x 7 inches): 172 prints per roll / ribbon cartridge 10 x 15 cm (4 x 6 inches): 200 prints per roll / ribbon cartridge 9 x 13 cm (3.5 x 5 inches): 300 prints per roll / ribbon cartridge 10 x 20 cm (4 x 8 inches): 150 prints per roll / ribbon cartridge
Interface	Hi-Speed USB (USB 2.0)
Power requirements	AC 100 to 240 V, 50/60 Hz
Power consumption	3.0 to 1.3 A
Operating temperature	5° C to 35° C (41° F to 95° F)
Operating humidity	20% to 80%
Dimensions	Approx. 275 (W) x 262 (H) x 380 (D) mm (10 7/8 x 10 3/8 x 15 inches) (excluding extruding parts, approx. 555 mm (21 7/8 inches) in depth with paper tray)
Mass	Approx. 10.5 kg (23 lb 2 oz) excluding the 0.16 kg (5.6 oz) paper tray
Driver software	Windows 2000, XP Home Edition, XP Professional, Mac OS X v10.3/v10.4**
Safety standards	UL/cUL60950-1, EN60950-1, FCC/IC Class B Digital Device, EN55022 Class B + EN55024 + EN61000-3-2 + EN61000-3-3 AS (EMC) AS/NZS CISPR 22 Class B, VCCI Class B, JIS C61000-3-2
Supplied accessories	Simple manual (1), Paper holder (1), Paper tray (1), AC power cord (1), Cleaning cartridge (1), CD-ROM (Windows printer driver software, Operating instructions PDF) (1)

*Based on an average of 10 prints of the same image data, excluding the first print

**A Macintosh driver is available to download from <http://www.sony.net/Products/DP-driver>

Optional Accessories



2UPC-C13 Self-Laminating Color Printing Pack

Paper size (after print): 89 x 126 mm \pm 2 mm
(3.5 x 5 inches)

Contents: Paper roll for 300 prints x 2
Ribbon cartridge x 2



2UPC-C14 Self-Laminating Color Printing Pack

Paper size (after print): 101 x 152 mm \pm 2 mm
(4 x 6 inches)

Contents: Paper roll for 200 prints x 2
Ribbon cartridge x 2



2UPC-C15 Self-Laminating Color Printing Pack

Paper size (after print): 126 x 178 mm \pm 2 mm
(5 x 7 inches)

Contents: Paper roll for 172 prints x 2
Ribbon cartridge x 2



2UPC-C48PF Self-Laminating Color Printing Pack

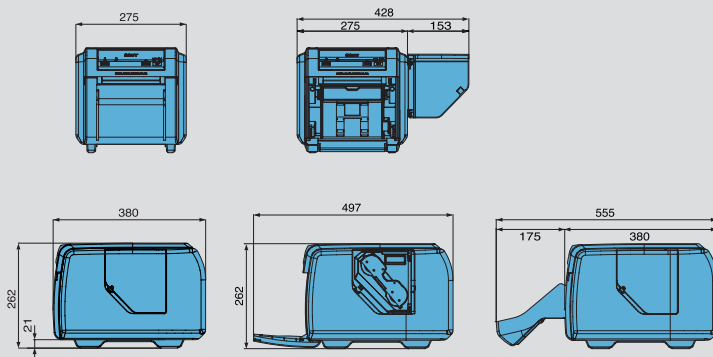
Paper size (after print): 101 x 203 mm \pm 2 mm
(4 x 8 inches)

Contents: Paper roll for 150 prints x 2
Ribbon cartridge x 2



UPA-CPH1 Paper Holder

Dimensions



Rear View

Distributed by

© 2006 Sony Corporation. All rights reserved.
Reproduction in whole or in part without written permission is prohibited.
Features and specifications are subject to change without notice.
All non-metric weights and measurements are approximate.
Sony is a registered trademark of Sony Corporation.
Microsoft and Windows are registered trademarks of Microsoft Corporation.
Macintosh is a registered trademark of Apple Computer Inc.
All other trademarks are the property of their respective owners.